

Replacement Parts

Applies to: **Model F** and **Model FE**
Fan-Type, Gas-fired
Unit Heaters and
Model B and Model BE
Blower-Type, Gas-fired
Unit Heaters

IMPORTANT

1. Always include complete heater model and serial number so that any specification change can be considered for parts shipment. It can save time and expense.
2. Specifications are subject to change without notice.
3. We reserve the right to substitute functional replacements
4. Order by Part Number. Do not order by Option Number.

Model F, Fan-Type, Gravity Vent



Model B, Blower-Type, Gravity Vent



*Model FE, Fan-Type, Power Vent



*Model BE, Blower-Type, Power Vent





*Models FE and BE are no longer manufactured.

Index

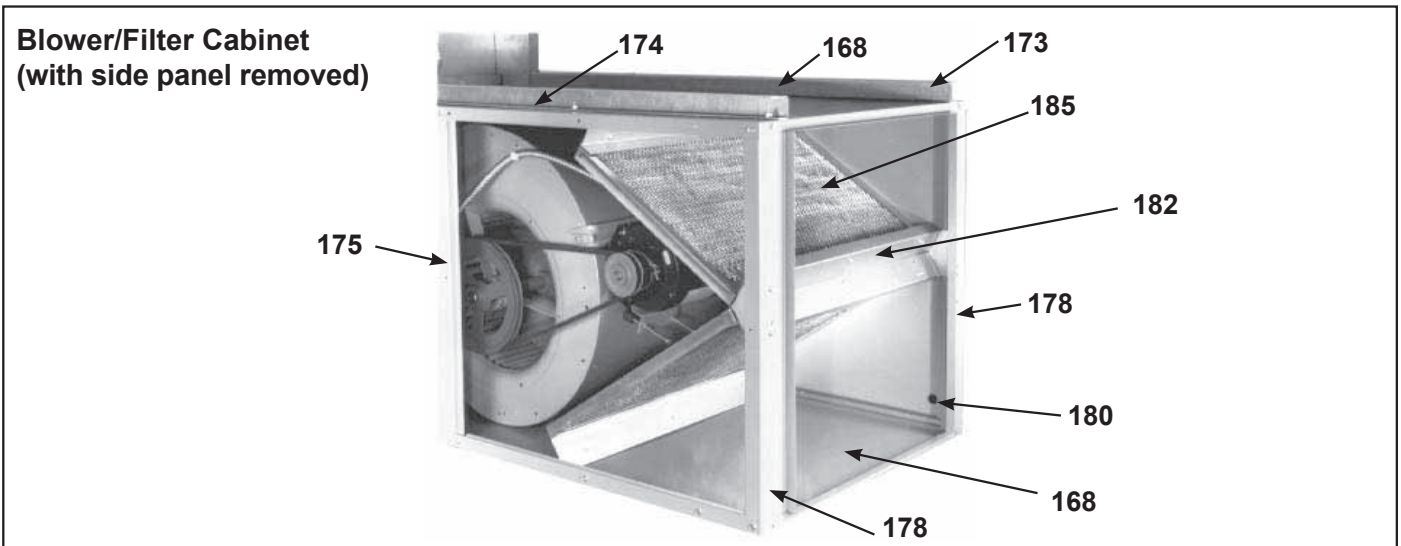
<p>A Air Shutter 12</p> <p>B Belt 10, 11 Belt Guard 19 Blocked Vent Switch 4 Blower 8 Blower Components 8 Blower/Filter Cabinet 19 Blower Guard 19 Burner Only 12 Burner Orifices 13 Burner Rack 12 Burner Rack Support 12 Burner Rack Supports 16</p> <p>C Cabinet Parts 16 Capacitor 8, 14, 15 Carryover 12 Circuit Breaker 4 Contactor 9, 10</p> <p>D Date of Manufacture 3 Dates of Introduction 3 Downturn Nozzle Kit 20 Drive 10 Duct Flange 18</p> <p>E Electrical Components 4</p> <p>F Fan Blades 7 Fan Components 7 Fan Control 4 Fan Guard 7 Fan Motor Spacing 7 Filters 19 Flame Sensor 13 Fuse 4</p> <p>G Gasket Kit 16 Guards 19</p> <p>H Hanger Kits 18 Heat Exchangers 16</p>	<p>Hinge Pin Assy 16</p> <p>I Ignition Controllers 5 Ignition Conversion Kits 5</p> <p>K Key 8</p> <p>L Latch Fastener 16 Limit Control 4 Vertical Louver Assy 18 Low Ambient Fan Control 6</p> <p>M Manifold 12 Model No. 2 Belt-Driven Motor 8 Blower Motor 9 Blower Motors 10 Direct Drive Motor 8 Fan Motor 7 Venter Motor 14 Motor Adjustment Mounting Assy 8 Motor Band 8 Motor Mounting Bracket 8 Motor Support 8 Multiple Heater Control 6</p> <p>N Nozzles 20</p> <p>O Burner Orifices 12 Overload 9, 10</p> <p>P Paint 18 Match-Lit Pilot 13 Spark Pilot 13 Pilot Shield 12 Polytube Adapters 20 Pressure Switch 14, 15 Blower Pulley 10, 11 Motor Pulley 10, 11</p> <p>R Rating Plate 2 References 3</p>	<p>Relay 4, 6, 14, 15 Replacement Parts Tag 2 Restrictor 8</p> <p>S Sensing Tube 14 Serial Number 2, 3 Starter 9 Starters 10 Summer/Winter Switch 4 Swivel Connection 18</p> <p>T Terminal Strip 4 Thermocouple 13 Thermostat Bracket 5 Thermostats 5 Stepdown Transformer 6 Transformers 5</p> <p>V Shut-off Valve 12 Vent Cap 14, 15, 18 Vent Damper 5 Venter 14 Venter Fan Blade 14 Venter for Gravity-Vent Units 15 Venter Gasket 14 Venter Motor and Wheel Assembly 14 Venter Wheel 14</p> <p>W Warranty 3</p>
---	--	---

Optional Belt and Blower Guards - Blower Models B and BE

 	Code	Description	Size				
			25	50/75/ 100	125	130/ 165	200/250/ 300/400
	160	Guard Package (Same as Option CD10) for Sizes 50-400 w/Belt Drive Motor	--	101539	101540	101541	
	161	Guard Package (Same as Option CD12) for Sizes 25-100 w/Direct Drive Motor	114548	--	--	--	
Components:							
162	Belt Guard only - in Option CD10 & AZ6	--	193796	193797	193795		
163	Contacting Mounting Bracket (not illustrated) - in Option CD10	--	101405	--	--		
164	Blower Inlet Guard only - in Options CD10, CD12, AZ6, & AZ7		102474	102475			

Optional Blower/Filter Cabinet - Blower Models B and BE

Code	Description	Size								
		25/50	75	100	125	130	165	200	250/300	400
165	Blower/Filter Cabinet Pkg for Field Assy, Adaptable for 1" or 2" filters (Same as Option CW1)	101543	101544	101545	140836	101546	101547	101548	101549	101550
166	Blower/Filter Cabinet Package for Field Assy, includes 1" Filters (Same as Option CW2)	101628	101629	101630	140884	101631	101632	101633	101634	101635
167	Blower/Filter Cabinet Package for Field Assy, includes 2" Filters (Same as Option CW3)	101636	101637	101638	140885	101639	101640	101641	101642	101643
Components:										
168	Top and Bottom Panel	99707			140841		100642		--	--
169	Top Right and Bottom Left	--	--	--	--	--	--	--	101582	101584
170	Top Left and Bottom Right	--	--	--	--	--	--	--	101583	101585
171	Stiffening Channel for Top/Btm	--	--	--	--	--	--	--	101551	
172	Stiffening Angle for Top/Btm	--	--	--	--	--	--	--	101601	101602
173	Right Side Hanger	101578			101580					
174	Left Side Hanger	101579				101581				
175	Front Leg	99761	99762	99763	137404	100634	100635	100636	100637	100638
176	Top Filler Panel Assembly	101562	101563	101564	140838	101565	101566	101567	101568	101569
177	Bottom Filler Panel Assembly	101570	101571	101572	140840	101573	101574	101575	101576	101577
178	Rear Leg	99708				100639			100640	100641
179	Door	99712				100646				
180	Plastic Plug for Door Holes	82177								
181	Door Stop	99711				100645				
182	Center Filter Bracket Assembly	--	--	--	--	101624			101625	101626
183	Filter Angle	99710				101591			101592	101593
184	Filter Member	99709				101595			101596	101597
185	Permanent Aluminum Filters									
	16" x 20" x 1"	--	--	--	--	--	--	--	(2)101607	--
	20" x 20" x 1"	101608			--	--	--	--	(2)101608	--
	16" x 25" x 1"	--	--	--	101609			--	(2)101609	
	20" x 25" x 1"	--	--	--	101610			--	(2)101610	
	16" x 20" x 2"	--	--	--	--	--	--	--	(2)101620	--
	20" x 20" x 2"	101621			--	--	--	--	(2)101621	--
	16" x 25" x 2"	--	--	--	101622			--	--	(2)101622
20" x 25" x 2"	--	--	--	101623			--	--	(2)101623	



Optional Downturn Air Outlet Nozzles - All Models (See NOTE in the illustration.)

Code	Description	Size								
		25/50	75	100	125	130	165	200	250/300	400
195	Downturn Nozzle Kit, 25-65° Variable Air Deflection Range, including hanger brackets to convert fan units to 4-point suspension (Same as Option CD2)	98525	98526	98527	135512	98528	98529	98530	98531	98532
196	Downturn Nozzle Kit, 50-90° Variable Air Deflection Range, including hanger brackets to convert fan units to 4-point suspension (Same as Option CD3)	98533	98534	98535	135513	98536	98537	98538	98539	98540
197	Downturn Nozzle Kit, 25-65° Variable Air Deflection Range w/ Vertical Louvers, including hanger brackets to convert fan units to 4-pt suspension (Same as Option CD4)	98541	98542	98543	135510	98544	98545	98546	98547	98548
198	Downturn Nozzle Kit, 50-90° Variable Air Deflection Range with Vertical Louvers (Same as Option CD5) - B&BE ONLY	124918	124919	124920	137302	124921	124922	124923	124924	124926
Downturn Nozzle Parts in CD2, CD3, CD4 and CD5 (for vertical louver components, see page 18)										
199	Downturn Nozzle Side Panel only	97874				97875				
200	Downturn Nozzle Top Panel only	97876	97877	97878	135509	97879	97880	97881	97882	97904

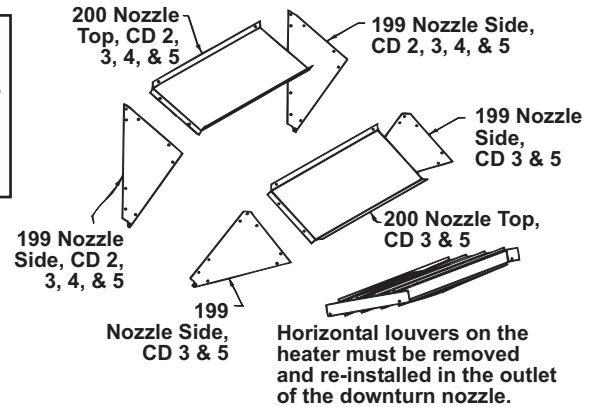
Outlet Nozzle Options CD2 & CD4

Sizes	"A"	Range of Air Deflection
25-125	9" (229mm)	25°-65°
130-400	13" (330mm)	25°-65°

Outlet Nozzle Options CD3 & CD5

Sizes	"A"	Range of Air Deflection
25-125	16-1/2" (419mm)	50°-90°
130-400	23-1/2" (597mm)	50°-90°

NOTE: On fan models, DO NOT use vertical louvers in combination with Code 196 (Option CD3). DO NOT install Code 198 (Option CD5) on fan models.



Optional Polytube Adapters - Blower Models B and BE Sizes 75-400

Code	Description	Size							
		75	100	125	130	165	200	250/300	400
210	Polytube Adapter for Suspended Units w/Polytube Discharge Above or Below Heater Discharge (Same as Opt CD6)	101243	101244	137299	122086	101245	101246	101247	101248
	Polytube Adapter for Suspended Units w/Polytube Discharge directly in line with Heater Discharge (Same as Opt CD11)	104227	104228	137301	122087	104229	104230	104231	104232
211	Polytube Adapter for Floor-Mounted Units (Same as Option CD8) - Requires the addition of guards, Code 50.	101680	101681	137300	122160	101682	101683	101684	101685

Size

75 100 125 130 165 200 250/300 400

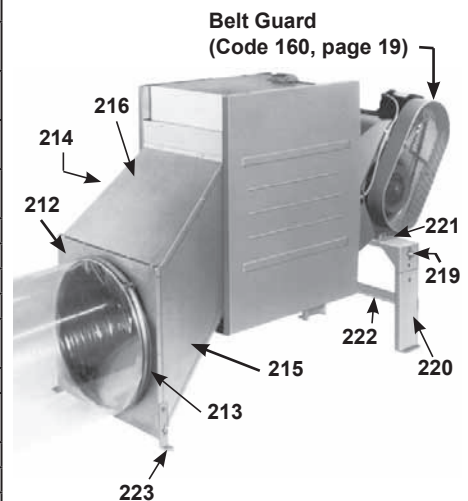
Components Common to Suspended and Floor-Mounted Polytube Adapters:

212	Discharge Panel Assy, CD6,8,11	101249			101250					
213	Discharge Collar Clamp - CD6,8,11	101499			146463					
214	Adapter Left Side, CD6,8	101253	132066	101254		101255	101254			
215	Adapter Right Side, CD6,8	101259	132066	101260		101255	101260			
214/215	Adapter Side, CD11 (2 required)	104233	132195	104234		104235	104234			
216	Adapter Top, CD6,8	101266	101267	132062	121548	101268	101269	101270	101271	
	Adapter Top, CD11	104236	104237	132063	121546	104238	104239	104240	104241	
217	Adapter Btm, CD6,8	101272	101273	132062	121547	101274	101275	101276	101277	
	Adapter Btm, CD11	104242	104243	132064	121545	104244	104245	104246	104247	
218	Polytube Holes Location Label	101263 - CD6, 8, 11 (not illustrated)								

Components for Floor-Mounted Adapter only:

219	Blower Support Assembly	101686								
220	Blower Legs	101689								
221	Support Angles	101691								
222	Cross Brace	101690								
223	Adapter Legs	101692								

Code 211 - Polytube Adapter with Floor Mounts



Specifications & illustrations subject to change without notice and without incurring obligations.

© Nortek Global HVAC, LLC 2015. All rights reserved.

All marks are the property of their respective organizations.

O'Fallon, MO | Printed in U.S.A. (12/15)

Form P-F/B (12-15), P/N 272436 R8